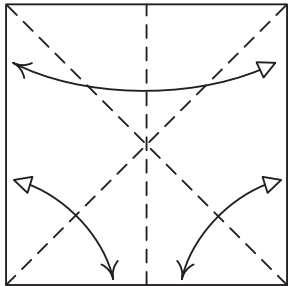


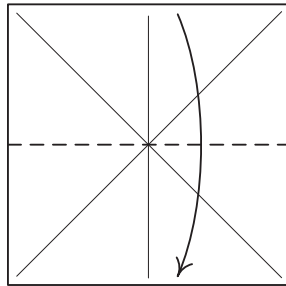
Mayur

(Created July 2014)

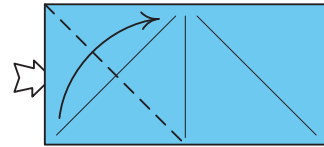
Mayur (मयूर), a Sanskrit word which means peacock, is the national bird of India.



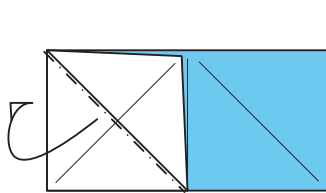
1. Fold and unfold vertical and diagonals.



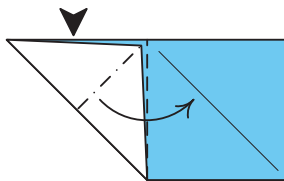
2. Fold in half.



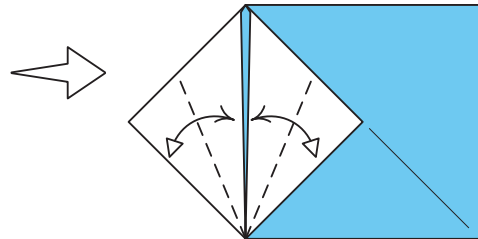
3. Fold corner of front layer.



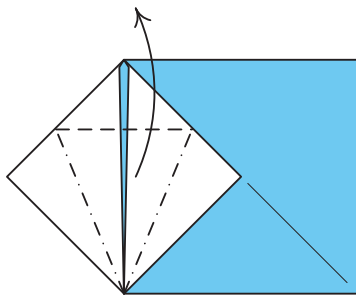
4. Mountain fold the back corner.



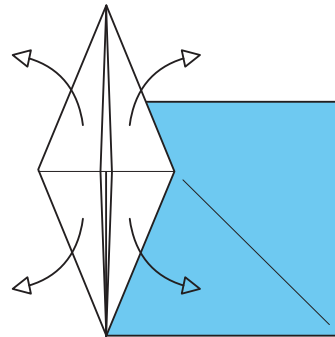
5. Squash fold.



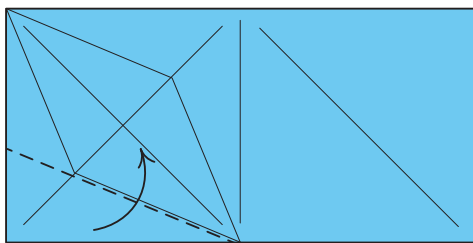
6. Fold and unfold.



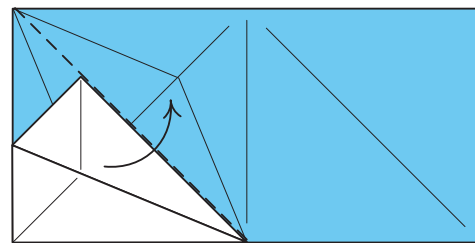
7. Petal fold.



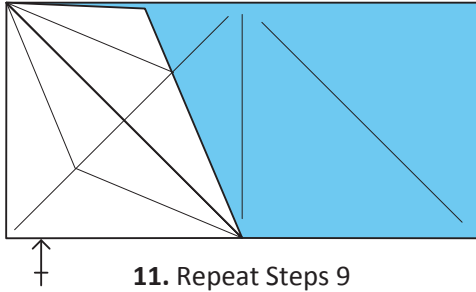
8. Unfold to step 3.



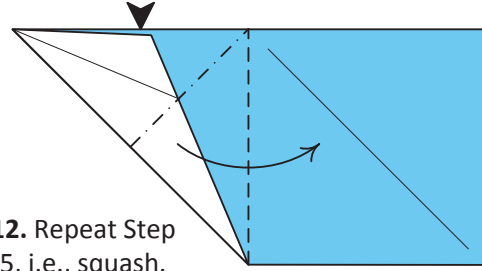
9. Fold front layer, extending existing crease.



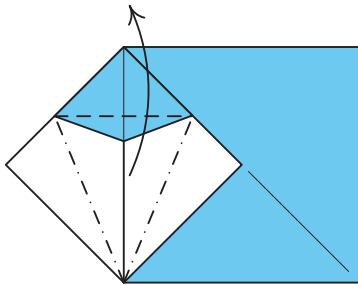
10. Fold along existing crease.



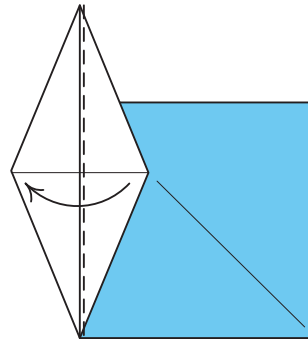
11. Repeat Steps 9 and 10 at the back.



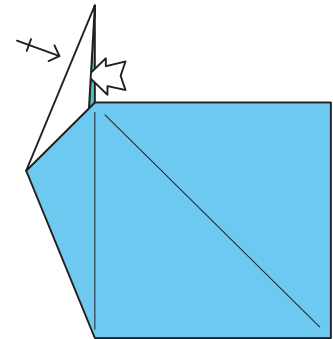
12. Repeat Step 5, i.e., squash.



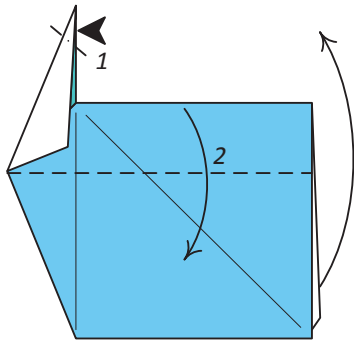
13. Repeat Step 7, i.e., petal fold.



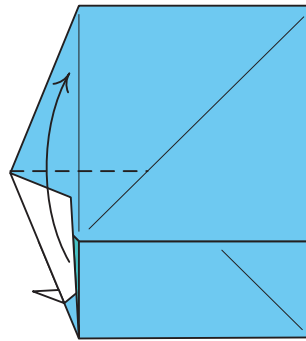
14. Fold white part in half.



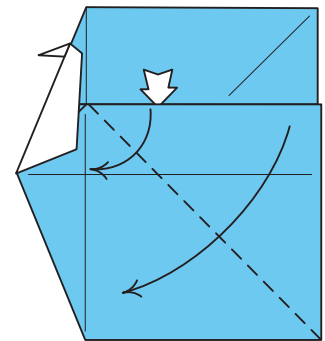
15. Lift white flap and bring to front. Repeat behind.



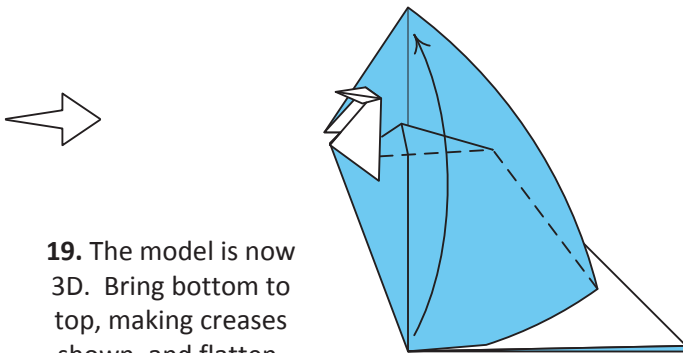
16. Reverse fold to form the beak of the peacock. Valley fold front layer only, while swiveling the back layer up.



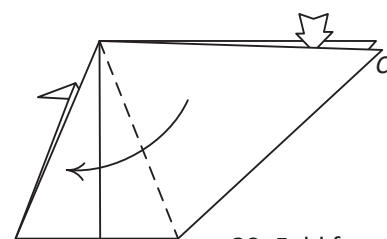
17. Fold white part back up, creasing only where shown.



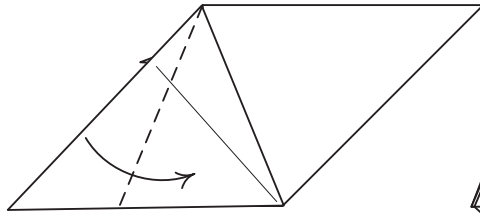
18. Fold the diagonal shown, without folding rearmost layer.



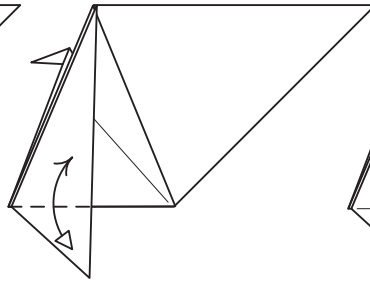
19. The model is now 3D. Bring bottom to top, making creases shown, and flatten.



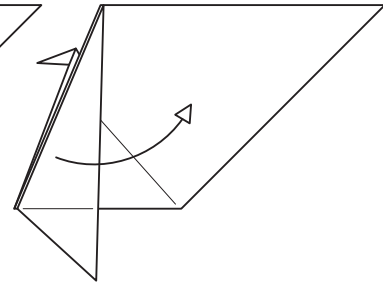
20. Fold front flap only.



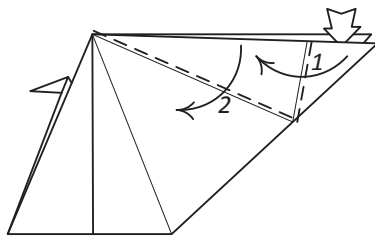
21. Fold tracing edge behind, but slightly more in.



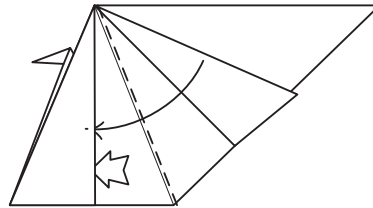
22. Fold to trace edge behind and unfold.



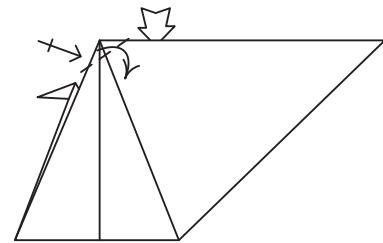
23. Unfold flap back to Step 20.



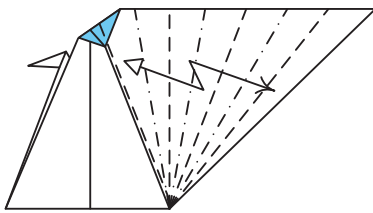
24. Fold the front flap along existing creases following sequence.



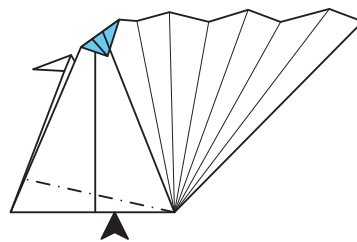
25. Fold the front flap along existing crease, tucking it in pocket shown.



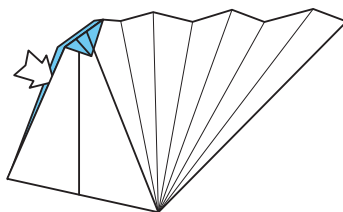
26. Fold corner slightly to shape (optional). Repeat at the back.



27. Pleat fold radially as many times as you like. Make creases sharp, then unfold.



28. Reverse fold at approximately the angle shown.



29. Open gently along the middle to expose the body. Flatten the base using creases from Step 28 to make the peacock sit.

Mayur

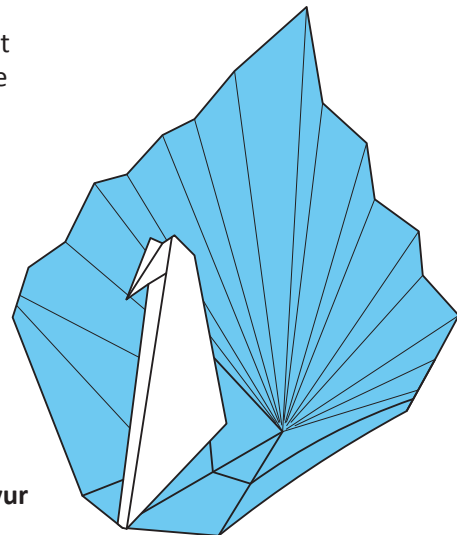


Photo on back cover.